
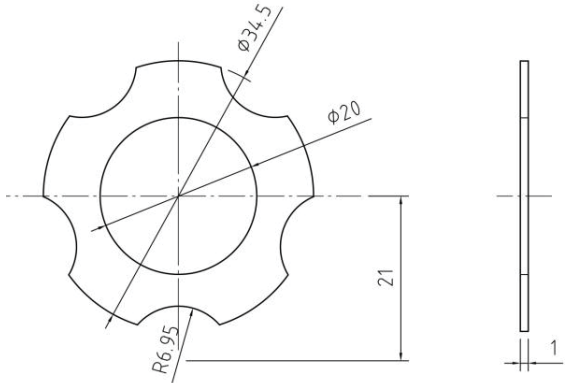



| 20MM CRANK WASHER | |
|-----------------------------------------------------------------------------------|------------------------------------------------------------------------------------|
| PHOTO | DRAWING |
|  |  |

| PICTURE CRANKCASE | |
|--------------------------------------------------------------------------------------|--|
|  | |